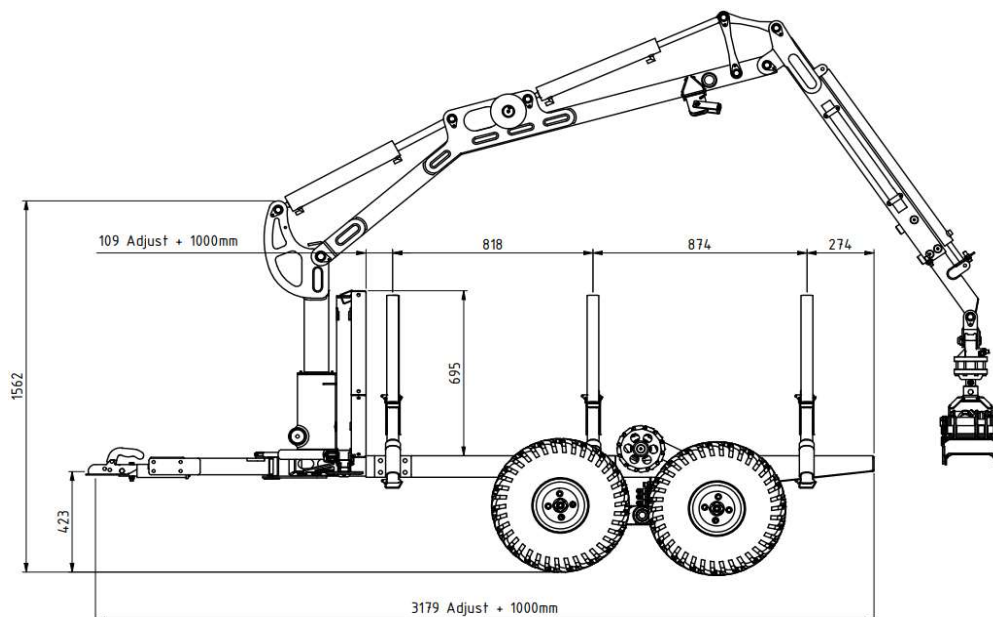


# AVESTAVAGNEN

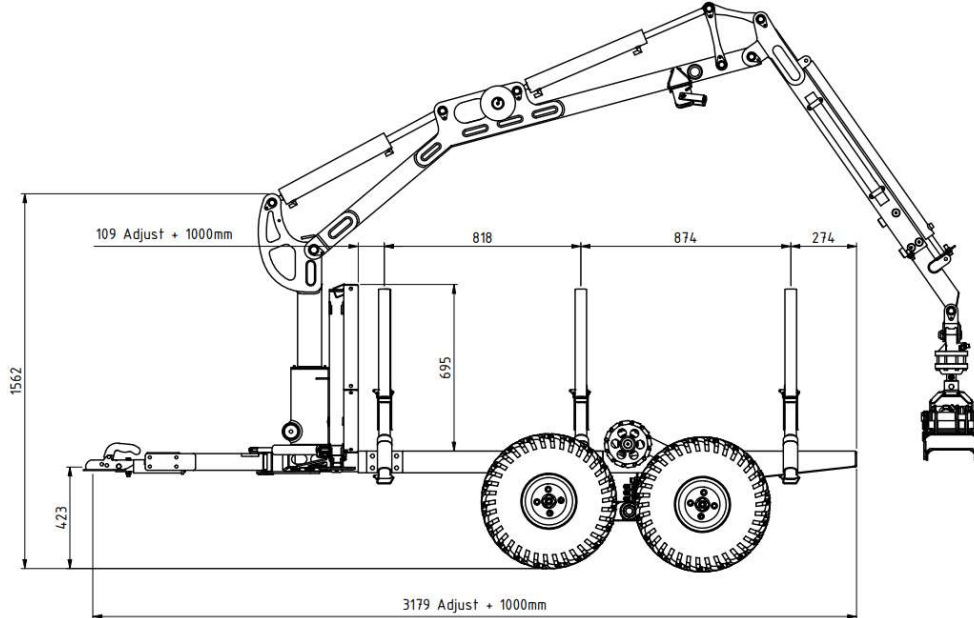
## PRICE LIST FORESTER FOR ATV 2025



Article	Art. nr.	Description	Price (SEK)
<b>Forester Light</b>	<b>770-124</b>	3.4m standard crane, 5+2 lever control, GX200 6hp Honda, no drive, no frame steering, no winch	94 800
<b>Forester Standard</b>	<b>770-125</b>	3.4m standard crane, 5+2 lever control, GX200 6hp Honda, manual drive with two levers, hydraulic frame steering, radio-controlled hydraulic winch	146 200
<b>Forester Plus 9hp</b>	<b>770-126</b>	4.2m crane with telescopic extension, 6+2 lever control, GX270 9hp Honda with electric start, automatic drive with handlebar buttons, hydraulic frame steering, radio-controlled hydraulic winch	179 700
<b>Forester Complete</b>	<b>770-127</b>	4.2m crane with telescopic extension, 6+2 lever control, GX270 9hp Honda with electric start, automatic drive with handlebar buttons, hydraulic frame steering, radio-controlled hydraulic winch, saw box with tool holder, clamp holder and space for 1 saw, hydraulic tipping bed with protective plate, lift beam, LED working lamp set, pressure gauge, table for hydraulic unit, timber pincer, separate wire guide	230 400
<b>Equip Your Forester: Upgrade Prices Upon Order</b>			
<b>Honda 9hp GX270 Hydraulic Unit</b>	<b>790-114</b>	Electric start, automatic drive with handlebar buttons, upgrade for Forester trailers with manual drive and no electric start	20 600
<b>Telescopic Extension Forester</b>	<b>790-115</b>	Telescopic extension 0.8m, upgrade for Forester Light and Standard	17 000
<b>2-Lever Coordinate</b>	<b>790-116</b>	2-stick mechanical joystick for the 4 first functions	5 500
<b>2-Lever Electric On/Off</b>	<b>790-117</b>	Thumb buttons controlling grapple and extension, (only for extension)	15 800
<b>Frame Steering</b>	<b>790-118</b>	Hydraulic frame steering, only for Light models	15 800
<b>Drive</b>	<b>790-119</b>	Hydraulic drive Robson, upgrade for light models	22 700
<b>Winch</b>	<b>790-122</b>	Hydraulic radio-controlled winch with 25m cable, upgrade for light models	18 500
<b>Crane Dampener</b>	<b>740-189</b>	Damping of the crane's lift function, gas accumulator kit	2 000
<b>Larger Grapple</b>	<b>790-105</b>	Upgrade to AVG08, Forester has AV Classic as standard	1 800
<b>Adjustable Support Legs</b>	<b>790-099</b>	Upgrade to adjustable support legs, Forester can become about 300mm longer	2 600
<b>Light kit</b>	<b>790-023</b>	2x48W LED mounted on the crane tower, button control on valve package	3 200
<b>AV also recommends extra stakes, saw box, logging tongs, and pulley block. See: Accessories Price List.</b>			

# AVESTAVAGNEN

## Forester Tractor/UTV Crane Trailers 2025

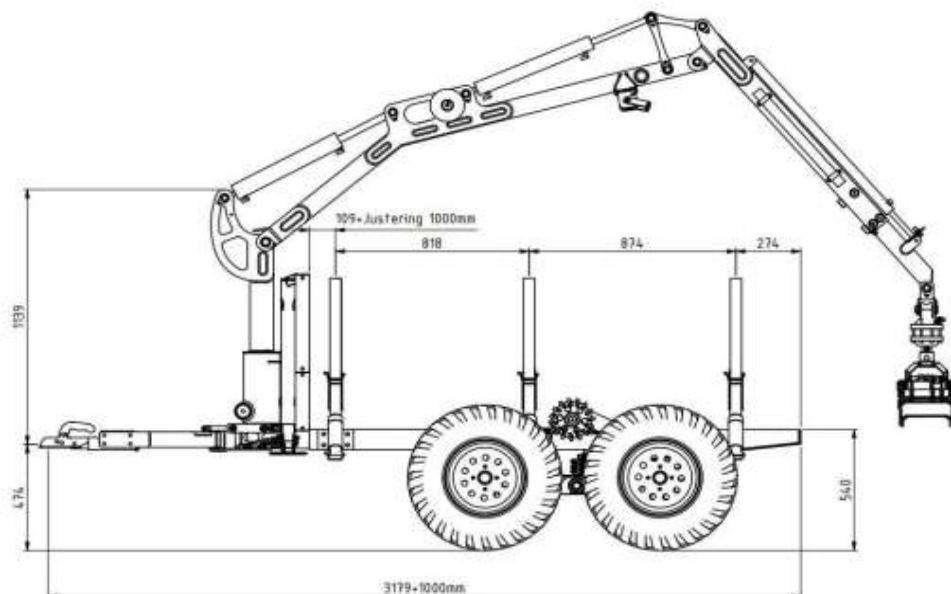


Article	Art. nr.	Description	Price (SEK)
<b>Forester Tractor Light</b>	<b>770-118</b>	3.4m standard crane, 5+2 lever control multistick, Forester Standard 22x11-8 wheels, no drive, no winch, no frame steering (must choose drawbar hitch 34 or 50mm tow ball coupling)	83 500
<b>Forester Tractor Standard</b>	<b>770-119</b>	3.4m standard crane, 5+2 lever control multistick, radio-controlled hydraulic winch, 22x11-8 wheels, drive, frame steering, and winch powered by the tractor's hydraulics via a 3-section electric valve package (mounted on trailer). Remote control set for drive and frame steering included, mounted in the cab	145 100
<b>Forester Tractor Plus</b>	<b>770-120</b>	4.2m crane with telescopic extension, 6+2 lever control multistick, radio-controlled hydraulic winch, 22x11-8 wheels, drive, frame steering, and winch powered by the tractor's hydraulics via a 3-section electric valve package (mounted on trailer). Remote control set for drive and frame steering included	161 200
<b>Forester Tractor Complete</b>	<b>770-128</b>	4.2m crane with telescopic extension, 6+2 lever control multistick, radio-controlled hydraulic winch, 22x11-8 wheels, drive, frame steering, and winch powered by the tractor's hydraulics via a 3-section electric valve package (mounted on trailer). Remote control set for drive and frame steering included, light kit, saw box with tool holder, clamp holder, and space for 1 saw, hydraulic tipping bed with protective plate, lift beam, grapple bucket, timber pincer, separate wire guide	209 600
<b>Equip Your Forester Tractor: Upgrade Prices Upon Order</b>			<b>Ex moms</b>
<b>Telescopic Extension Forester</b>	<b>790-115</b>	Telescopic extension 0.8m, upgrade for Light and Standard models	17 000
<b>2-Lever Coordinate</b>	<b>790-116</b>	Valve package with 2 mechanical joysticks for the first 4 functions	5 500
<b>2-Lever Electric</b>	<b>790-117</b>	Thumb buttons (on/off) controlling grapple and extension, only for extension	15 800
<b>Frame Steering</b>	<b>790-118</b>	Hydraulic frame steering, only for Light models	15 800
<b>Drive</b>	<b>790-119</b>	Hydraulic drive Robson, upgrade for Light models	35 000
<b>Winch</b>	<b>790-122</b>	Hydraulic radio-controlled winch with 25m cable, upgrade for Light models	18 500
<b>Crane Dampener</b>	<b>740-189</b>	Damping of the crane's lift function, gas accumulator kit	2 000
<b>Larger Grapple</b>	<b>790-105</b>	Upgrade to AVG08, Forester has AV Classic as standard	1 800
<b>Adjustable Legs</b>	<b>790-099</b>	Upgrade to adjustable support legs, Forester can become about 300mm longer	2 600
<b>Light Kit</b>	<b>790-023</b>	2x48W LED mounted on the crane tower, button control on valve package	3 200
<b>Honda 6.5hp manual start or Honda 9hp electric start</b>		<b>For use with ATV, UTV, smaller tractors without hydraulics, or other specialized vehicles. Motor, tank, and pump. P+T couplings 1/2", complete with engine tray, mounting frame, and brackets. Not recommended to use a 13hp unit for Forester</b>	See accessories price list

The Avesta wagon reserves the right to possible misprints and price changes based on factors beyond our control;

# AVESTAVAGNEN

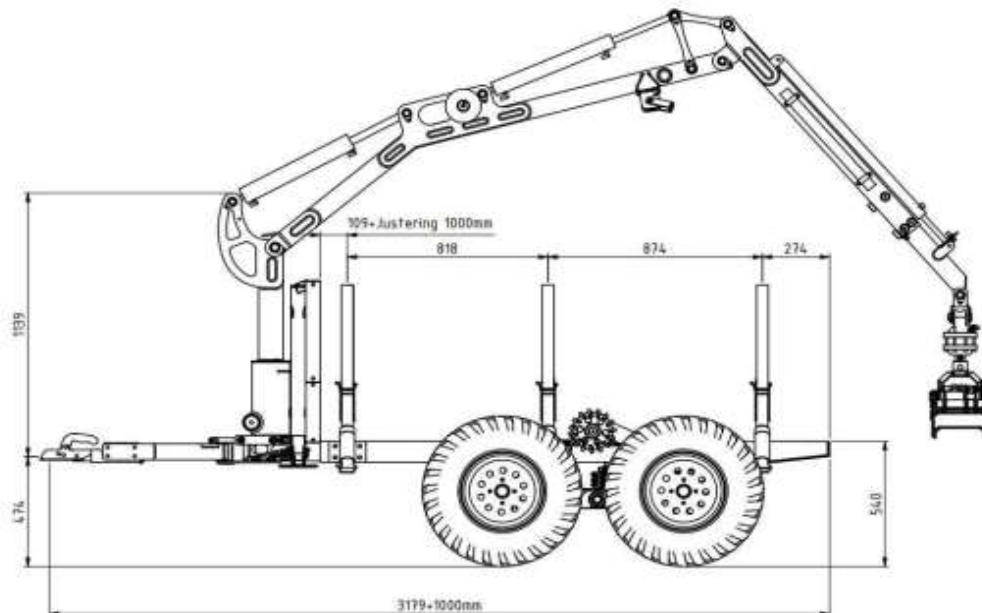
## Forester XL For ATV Crane trailers 2025



Article	Art. nr.	Description	Price (SEK)
<b>Forester XL Light</b>	<b>770-129</b>	3.4m standard crane, 5+2 lever control, 6hp Honda, large wheels, no drive, frame steering, or winch	104 000
<b>Forester XL Standard</b>	<b>770-130</b>	3.4m standard crane, 5+2 lever control, 9hp Honda with electric start, automatic drive, hydraulic frame steering, radio-controlled hydraulic winch	175 000
<b>Forester XL Plus auto</b>	<b>770-131</b>	4.2m crane with telescopic extension, 6+2 lever control, 9hp Honda, automatic drive using handlebar control, hydraulic steering radio options onboard winch	191 000
<b>Forester XL Complete</b>	<b>770-132</b>	4.2m crane with telescopic extension, 6+2 lever control, 9hp Honda with electric start, automatic drive using handlebar control, hydraulic frame steering, radio-controlled hydraulic winch, saw box with tool holder, and space for 1 saw, hydraulic tipping bed with protective plate, lift beam, LED working lamp set, pressure gauge, table for hydraulic unit, timber pincer, separate wire guide	244 000
<b>EQUIP YOUR FORESTER XL. UPGRADE PRICE WHEN ORDERING</b>			
<b>Honda 9hp GX270 Hydraulic Unit</b>	<b>790-114</b>	Electric start, automatic drive with handlebar buttons, upgrade for XL	20 600
<b>Telescopic Extension Forester</b>	<b>790-115</b>	Telescopic extension 0.8m, upgrade for Light and Standard	17 000
<b>2-Lever Coordinate</b>	<b>790-116</b>	Valve package with 2 mechanical joysticks for the first 4 functions	5 500
<b>2-Lever Electric On/Off</b>	<b>790-117</b>	Thumb buttons controlling grapple and extension, only for extension	15 800
<b>Frame Steering</b>	<b>790-118</b>	Hydraulic frame steering, only for Light models	15 800
<b>Drive</b>	<b>790-119</b>	Hydraulic drive Robson, upgrade for XL Light	22 700
<b>Winch</b>	<b>790-122</b>	Hydraulic radio-controlled winch with 25m cable, upgrade for XL Light	18 500
<b>Crane Dampener</b>	<b>740-189</b>	Damping of the crane's lift function, gas accumulator kit	2 000
<b>Larger Grapple</b>	<b>790-105</b>	Upgrade to AVG08, Forester XL has AV Classic as standard	1 800
<b>Adjustable Legs</b>	<b>790-099</b>	Upgrade to adjustable support legs, Forester XL can become about 300mm longer	2 600
<b>Light Kit</b>	<b>790-023</b>	2x48W LED mounted on the crane tower, button control on valve package	3 200
<b>AV also recommends extra stakes, saw box, logging tongs, and pulley block. See: Accessories Price List.</b>			

# AVESTAVAGNEN

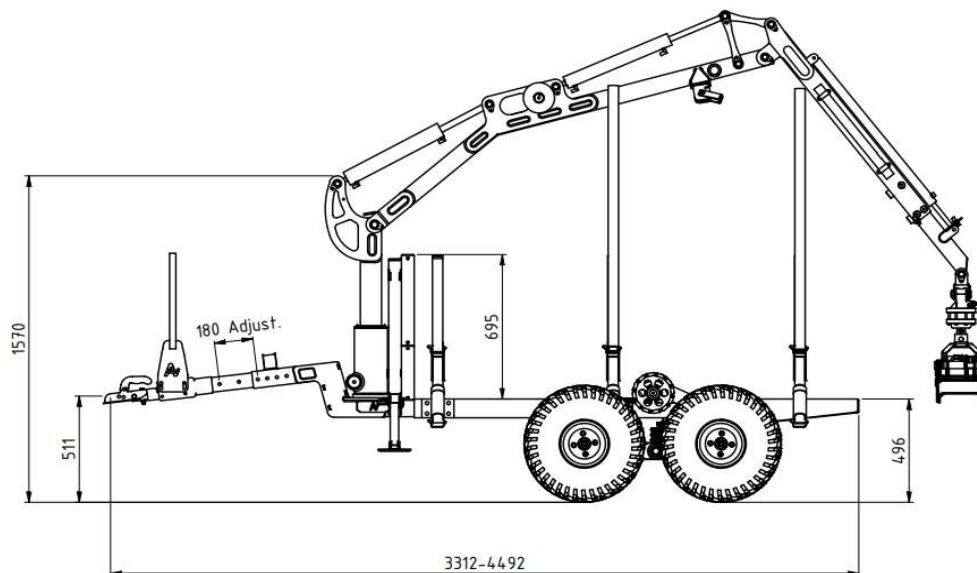
## Forester XL for tractor 2025



Articel	Art. nr.	Description	SEK
<b>Forester XL Tractor Light</b>	<b>770-133</b>	3,4m std crane, valve package 5+2 lever multistick, Ranger wheels 300x65-12 and larger bogie boxes. No drive, no winch, no frame steering	92 700
<b>Forester XL Tractor Standard</b>	<b>770-134</b>	3,4m std crane, 5+2 lever multistick, hydraulic trailer drive, hydraulic frame steering, radio-controlled hydraulic winch, 22x11-8 wheels. Driven by the tractor's hydraulics via a 3-section electrically controlled valve package (mounted on the trailer). Remote control kit, for drive and frame control included, mounted in cab	154 397
<b>Forester XL Tractor Plus</b>	<b>770-135</b>	4,2m crane with extension, 6+2 lever multistick, hydraulic drive, hydraulic frame steering, radio-controlled hydraulic winch, 22x11-8 wheels. Driven by the tractor's hydraulics via a 3-section electrically controlled valve package (mounted on the trailer). Remote control kit, for drive and frame control included.	170 300
<b>Forester XL Tractor Complete</b>	<b>770-136</b>	4,2m crane with extension, 6+2 lever multistick, hydraulic drive, hydraulic frame steering, radio controlled hydraulic winch, 300x65-12 wheels. Driven by tractor hydraulics via a 3-section electrically controlled valve package mounted on the trailer. Remote control kit, for drive and frame control included. Lamp kit, Saw box with tool bracket, scissor bracket and space for 1st saw, Hydraulic tipping plate with protective plate, Lifting beam, Grapple bucket, Lunning shears and block	218 900
<b>EQUIP FORESTER TRACTOR. UPGRADE PRICE WHEN ORDERING</b>			
<b>Telescopic Extension</b>	<b>790-115</b>	Telescopic extension 0.8m, upgrade for Forester Light and Standard	17 000
<b>2-Lever Coordinate</b>	<b>790-116</b>	Valve package with 2 mechanical joysticks for the first 4 functions	5 500
<b>2-Lever Electric</b>	<b>790-117</b>	Thumb buttons (on/off) controlling grapple and extension, only for extension	15 800
<b>Frame Steering</b>	<b>790-118</b>	Hydraulic frame steering, only for Light models	15 800
<b>Drive XL</b>	<b>790-123</b>	Hydraulic drive Robson, upgrade for XL Light	35 000
<b>Winch</b>	<b>790-122</b>	Hydraulic radio-controlled winch with 25m cable, upgrade for XL Light	18 500
<b>Crane Dampener</b>	<b>740-189</b>	Damping of the crane's lift function, gas accumulator kit	2 000
<b>Larger Grapple</b>	<b>790-105</b>	Upgrade to AVG08, Forester XL has AV Classic as standard	1 800
<b>Adjustable Support Legs</b>	<b>790-099</b>	Upgrade to adjustable support legs, Forester XL can become about 300mm longer	2 600
<b>Light Kit</b>	<b>790-023</b>	2x48W LED mounted on the crane tower, button control on valve package	3 200
<b>Loose hydraulic unit</b>		<b>Honda 6,5hp manual start or Honda 9hp electric start.</b> For example, to be able to use your tractor trailer with, for example, ATV, UTV, smaller tractor without hydraulics or other special vehicles. Engine, tank and pump. P + T couplings 1/2 "complete with engine bellows, mounting frame and fasteners Avestavagnen does not recommend 13hp units for Forester. See Price list accessories	
<b>Avestavagnen also recommends Extra poles, Saw box, See: Price list Accessories</b>			

# AVESTAVAGNEN

## PRICELIST AVEQUS FOR JARNHASTEN 2025



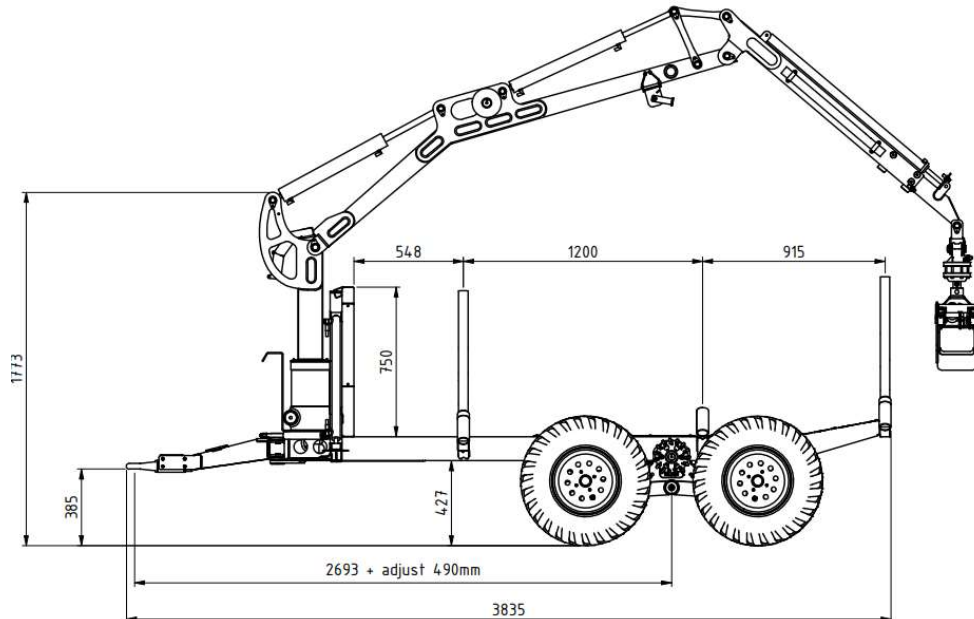
Articel	Art. nr.	Description	SEK
<b>Avequs Light 3.4</b>	<b>775-003</b>	Avequs chassis, 3,4m crane, Valve package 5+2 multistick. AV Classic grip, Adjustable outriggers, valve package holder. No drive, no winch	90 100
<b>Avequs Pro Essence</b>	<b>775-002</b>	Avequs chassis, 4.2m crane with extension, 6.2 multistick, AVG08 grab, Adjustable outriggers, lamp kit on crane, Radio-controlled hydraulic winch, Robson drive on the trailer, valve package for the drive is not needed, Essence has its own valve Lunning shears and breaking blocks included	147 900
<b>Avequs Pro Flex 2</b>	<b>775-001</b>	Avequs chassis, 4.2m crane with extension, 6.2 multistick, AVG08 grab, Adjustable outriggers, lamp kit on crane, Radio controlled hydraulic winch, Robson drive on trailer, Valve package for drive on trailer included, Only P+T needed Lunning shear and breaker block included	157 100
<b>EQUIP YOUR AVEQUS. UPGRADE PRICE WHEN ORDERING</b>			
<b>Telescopic Extension</b>	<b>790-115</b>	Telescopic extension 0.8m, upgrade.	17 000
<b>2-Lever Coordinate</b>	<b>790-116</b>	Valve package with 2 mechanical joysticks for the first 4 functions	5 500
<b>2-Lever Electric</b>	<b>790-117</b>	Thumb buttons (on/off) controlling grapple and extension, only for extension	15 800
<b>Drive</b>	<b>790-125</b>	Hydraulic drive Robson, upgrade for XL Light	26 700
<b>Valve for driving</b>	<b>740-191</b>	Electrically controlled valve on the wagon, drive rollers up and down, back and forth only P+T is needed, Electricity kit for eg. Flex 2 control can be purchased from Lennartfors'	9 800
<b>Winch</b>	<b>740-358</b>	Hydraulic radio-controlled winch with 25m cable, upgrade for XL Light	18 500
<b>Crane Dampener</b>	<b>740-189</b>	Damping of the crane's lift function, gas accumulator kit	2 000
<b>Larger Grapple</b>	<b>790-105</b>	Upgrade to AVG08, has AV Classic as standard	1 800
<b>Adjustable Stake</b>	<b>740-143</b>	Adjustable stake, see webshop for pictures	800
<b>Adj, short Stake</b>	<b>740-144</b>	Adjustable stake short top, see webshop for pictures	700
<b>Adj, long Stake</b>	<b>740-157</b>	Adjustable recidue pole long top H=125cm , see webshop for pictures	1 300
<b>Insert body (small)</b>	<b>740-478</b>	Recidue tub 3/5 Alu, Placed in the bottom part of the trolley, easy to lift in and out	5 700
<b>Light kit</b>	<b>790-023</b>	2x48W LED mounted on the crane tower, button control on valve package	3 200
<b>Extra stake</b>	<b>740-248</b>	Avequs has 4 Forester stakes as standard but room for 6	1 100
<b>Loose hydraulic unit</b>		Honda 6,5hp manual start or Honda 9hp electric start. For example, to be able to use your Avequs trailer with, for example, ATV, UTV, smaller tractor without hydraulics or other special vehicles. Engine, tank and pump. P and T couplings 1/2" complete with engine bellows and mounting frame and fasteners. We do not recommend 13hp units for Forester. <b>See Price list accessories</b>	
<b>Avestavagnen also recommends Extra poles, Saw box, See: Price list Accessories</b>			

The Avesta wagon reserves the right to possible misprints and price changes based on factors beyond our control;



# AVESTAVAGNEN

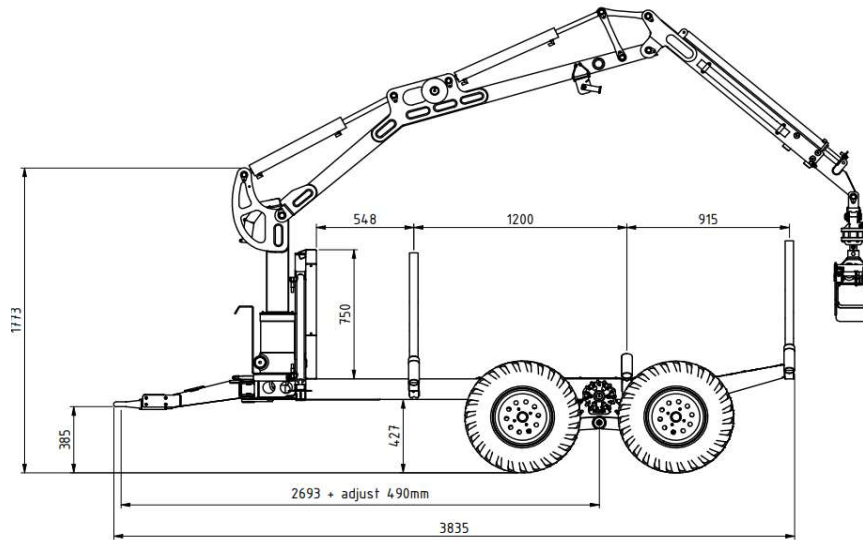
## Pricelist Ranger for ATV 2025



	Art. nr.	Description	SEK
<b>RANGER FOR ATV</b>			
<b>Ranger Standard</b>	<b>771-020</b>	Ranger chassis, 3,8m std crane, 5+2 lever multistick, Honda 6hp manual start, hydraulic trailer drive, manually controlled with two levers, electro-hydraulic frame steering, hydraulic movable bogie, 300x65-12 wheels, Trailer lacks Winch	182 300
<b>Ranger Plus</b>	<b>771-021</b>	Ranger chassis, 4.8m crane with extension, 6+2 lever multistick, Honda 13hp with electric start, hydraulic trailer drive, automatic and with buttons on the handlebar, 2vxl roller drive, electro-hydraulic frame steering, hydraulic movable bogie, radio-controlled hydraulic winch, 300x65-12 wheels	231 200
<b>Ranger Complete</b>	<b>771-022</b>	Ranger chassis, 4.8m crane with extension, 6+2 lever multistick, Honda 13hp with electric start, hydraulic trolley drive, automatic and with buttons on the handlebar, 2vxl roller drive, electro-hydraulic frame steering, hydraulic movable bogie, radio-controlled hydraulic winch, 300x65-12 wheels, Lamp kit, Saw box with tool bracket, scissor bracket and space for 1st saw, Hydraulic tipping sheet with protective plate, Lifting beam, Grapple bucket, Hydraulic table, Lunning shears and vire guide.	284 200
<b>EQUIP YOUR RANGER. UPGRADE PRICE AT THE TIME OF ORDER</b>			<b>Ex moms</b>
<b>Honda 13hk Aut Hydraulaggregat</b>	<b>790-130</b>	The unit has electric start, automatic operation and set buttons on the handlebar, Upgrade for Shunting wagons with manual operation without electric start, The wagon then also gets 2-speed roller operation	24 200
<b>Telescopic Extension</b>	<b>790-131</b>	Telescopic extension 1m Upgrade for Standard	18 000
<b>2-Lever Coordinate</b>	<b>790-116</b>	Valve package with 2 mechanical joysticks for the first 4 functions	5 500
<b>2-Lever Electric</b>	<b>790-117</b>	Thumb buttons controlling grapple and extension, only for extension	15 800
<b>Winch</b>	<b>790-132</b>	Hydraulic radio controlled winch with 25m wire rope. Upgrade for Standard	18 500
<b>Crane Dampener</b>	<b>740-189</b>	Damping of boom lifting function Gas accumulator kit	2 000
<b>Adj, support legs</b>	<b>790-104</b>	Upgrading to adjustable outriggers Ranger can be about 300mm longer	2 600
<b>Light kit</b>	<b>790-023</b>	2x48w LED mounted on the crane tower, keypad on valve package	3 200
<b>Avestavagnen also recommends Extra poles, Saw box, See: Price list Accessories</b>			

# AVESTAVAGNEN

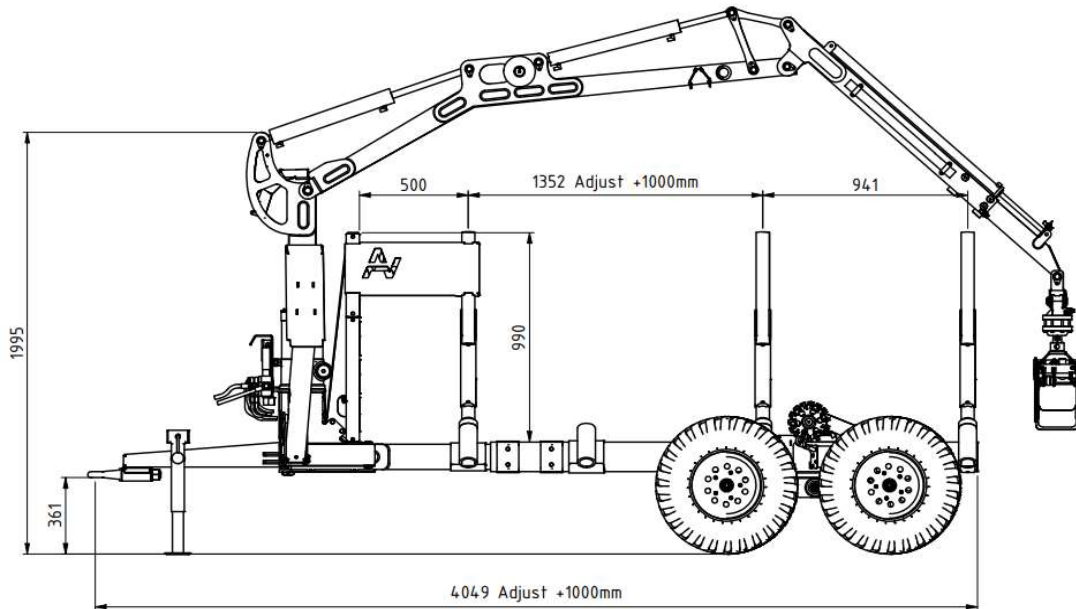
## RANGER FOR TRACTOR



Articel	Art. nr.	Description	SEK
<b>Ranger Tractor Standard</b>	<b>770-030</b>	3.8m standard crane, valve package 5+2 lever multistick, hydraulic trailer drive, hydraulic frame steering, hydraulic movable bogie, 300x65-12 wheels. Trailer drive and frame steering are driven by tractor hydraulics via a 3-section electrically controlled valve package mounted on the trailer. Electric remote control kit for drive, bogie movement and frame steering included. The trailer drive and frame control etc. are operated via an instrument box and connected to the electrically controlled valve on the trailer gate. <b>NOTE The trailer lacks a winch</b>	164 700
<b>Ranger Tractor Plus</b>	<b>770-031</b>	4.8m crane with extension, valve package 6+2 lever multistick, hydraulic trailer drive, hydraulic frame steering, hydraulic movable bogie, radio-controlled hydraulic winch, 300x65-12 wheels. Trailer drive and frame steering are driven by tractor hydraulics via a 3-section electrically controlled valve package mounted on the trailer. Electric remote control kit for drive, bogie movement and frame steering included. The trailer drive and frame steering etc. are operated via an instrument box and connected to the electrically controlled valve on the trailer gate.	191 500
<b>Ranger Tractor Complete</b>	<b>771-032</b>	4.8m crane with extension, valve package 6+2 lever multistick, hydraulic trailer drive, hydraulic frame steering, hydraulic movable bogie, radio-controlled hydraulic winch, 300x65-12 wheels. Trailer drive and frame steering are driven by tractor hydraulics via a 3-section electrically controlled valve package mounted on the trailer. Electric remote control kit for drive, bogie movement and frame steering included. The trailer drive and frame control etc. are operated via an instrument box and connected to the electrically controlled valve on the trailer gate. Lamp kit, Saw box with tool bracket, scissor bracket and space for 1st saw, Hydraulic tipping plate with protective plate, Lifting beam, Grapple bucket, Lunning shears and wire guide	242 000
<b>EQUIP YOUR RANGER TRACTOR. UPGRADE PRICE AT TIME OF ORDER</b>			
<b>Telescopic Extension</b>	<b>790-131</b>	Telescopic extension Ranger 1m Upgrade for Standard	18 000
<b>2-Lever Coordinate</b>	<b>790-116</b>	Valve package with 2 mechanical joysticks for the first 4 functions	5 500
<b>2-Lever Electric</b>	<b>790-117</b>	Thumb buttons controlling grapple and extension, only for extension	15 800
<b>Winch</b>	<b>790-132</b>	Hydraulic radio controlled winch with 25m wire rope. Upgrade for Standard	18 500
<b>Crane Dampener</b>	<b>740-189</b>	Damping of boom lifting function Gas accumulator kit	2 000
<b>Adj. support legs</b>	<b>790-104</b>	Upgrading to adjustable outriggers Ranger can be about 300mm longer	2 600
<b>Light kit</b>	<b>790-023</b>	2x48w LED mounted on the crane tower, keypad on valve package	3 200
<b>Loose hydraulic unit</b>		Honda 6.5hp manual start, Honda 9hp electric start or Honda 13hp electric start For example, to be able to use your tractor trailer with, for example, ATV, UTV, smaller tractor without hydraulics or other special vehicles. Engine, tank and pump. P and T 1/2" quick couplings, complete with engine bellows and mounting frame and fasteners. <b>See Price list accessories</b>	
<b>Avestavagnen also recommends Extra poles, Saw box, See: Price list Accessories</b>			

# AVESTAVAGNEN

## TAIGA TRACTOR



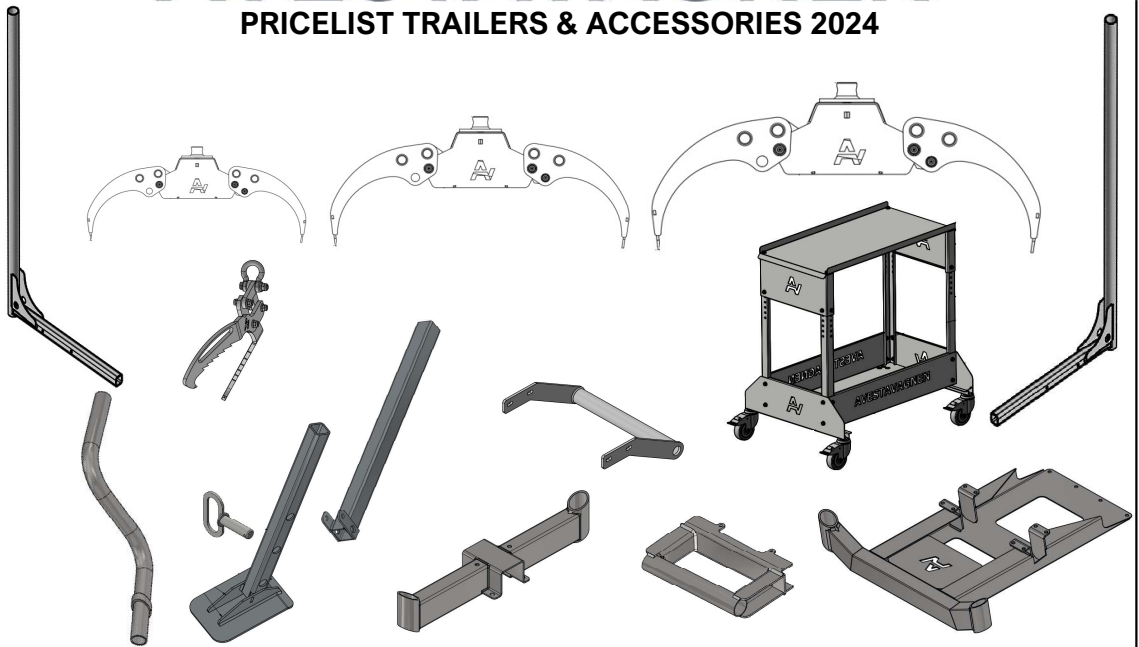
Articel	Art. nr.	Description	SEK
<b>Taiga Light</b>	<b>780-017</b>	Taiga chassis with frame steering (operated by the tractor hydraulics), 3.8 m crane, valve package multistick 6+2 (linear), no drive, no winch, 300x65-12 wheel 5 bolt. Valve package for frame steering is not included, order separately	122 100
<b>Taiga Standard</b>	<b>780-018</b>	Taiga chassis with frame steering, 3.8 m crane, valve package multistick 5+2 (linear). Hydraulic drive, radio controlled hydraulic winch, 300x65-12 wheels 5 bolts. Trailer drive, frame steering and winch are powered by the tractor hydraulics through a 3-sect electric controlled valve package (mounted on trailer). Electric remote control kit for drive and frame control included. The trailer drive and frame control etc. are operated through an instrument panel box connected to the valve on the trailer	166 900
<b>Taiga Plus</b>	<b>780-010</b>	Taiga chassis with frame steering, 4.8 m crane (1.0 m extension), valve package multistick 6+2 (linear). Hydraulic drive, radio controlled hydraulic winch, 300x65-12 wheels 5 bolts. Trailer drive, frame steering and winch are powered by the tractor hydraulics through a 3-sect electric controlled valve package (mounted on trailer). Electric remote control kit for drive and frame control included. The trailer drive and frame control etc. are operated through an instrument panel box connected to the valve on the trailer	184 000
<b>Taiga Complete</b>	<b>780-020</b>	Taiga chassis with frame steering, 4.8 m crane (1.0 m extension), valve package 2-joystick electric on/off. Hydraulic drive, radio controlled hydraulic winch, 300x65-12 wheels 5 bolts. Trailer drive, frame steering and winch are powered by the tractor hydraulics through a 3-sect electric controlled valve package (mounted on trailer). Electric remote control kit for drive and frame control included. The trailer drive and frame control etc. are operated through an instrument panel box connected to the valve on the trailer. LED working lamp set, timber pincer, separate wire guide included	234 400
<b>EQUIP YOUR TAIGA. UPGRADE PRICE AT TIME OF ORDER</b>			
<b>Telescopic Extension</b>	<b>790-131</b>	Telescopic extension 1m Upgrade for Standard	18 000
<b>Taiga draft 52</b>	<b>740-038</b>	Long hitch for Taiga for regular tractor, approx. 115cm. Approx. 25cm longer than standard hitch. Hitch eye 52mm. Upgrade price	1 100
<b>2-Lever Coordinate</b>	<b>790-116</b>	Valve package with 2 mechanical joysticks for the first 4 functions	5 500
<b>2-Lever Electric</b>	<b>790-117</b>	Thumb buttons (on/off) controlling grapple and extension, only for extension	15 800
<b>Larger Grapple</b>	<b>790-108</b>	Upgrade from AVG08 to AVG12	3 800
<b>Winch</b>	<b>790-132</b>	Hydraulic radio controlled winch with 25m wire rope. Upgrade for Standard	18 500
<b>Crane Dampener</b>	<b>740-189</b>	Damping of boom lifting function Gas accumulator kit	2 000
<b>Light kit</b>	<b>790-023</b>	2x48w LED mounted on the crane tower, keypad on valve package	3 200
<b>Avestavagnen also recommends Extra poles, Saw box, See: Price list Accessories</b>			

The Avesta wagon reserves the right to possible misprints and price changes based on factors beyond our control;



# AVESTAVAGNEN

## PRICELIST TRAILERS & ACCESSORIES 2024



### ACCESSORIES CRANE TROLLEYS HYDRAULIC POWER UNITS UNIVERSAL

<b>Honda GX200 Hydraulic power unit</b>	<b>790-140</b>	<p>Engine Honda GX200, about 6hp manual start with pull cord. Hydraulic tank of aluminum, to cool the oil better. The tank has a return oil filter. D5 pump of about 3.7cc, gives about 13.32 liters per minute at full throttle. 1/2" quick couplings for P and T, complete with engine bellows and mounting frame and fasteners. For example, to be able to use your tractor-adapted trailer for ATV, UTV, smaller tractor without hydraulics or other special vehicles. The unit can of course be used for everything from wood splitters to Chinese crane trailers.</p>	<p>16 700</p>
<b>Honda GX270 Hydraulic Power Pack with Electric Start</b>	<b>790-141</b>	<p>Engine Honda GX270, about 9hp Electric start. Aluminum hydraulic tank, to cool the oil better. The tank has a return oil filter. D7 pump of about 4.2cc, gives about 15 liters per minute at full throttle. 1/2" quick couplings for P and T, complete with engine bellows and mounting frame and fasteners. Battery cable L = 2.5m with splice connector included. For example, to be able to use your tractor-adapted trailer for ATV, UTV, smaller tractor without hydraulics or other special vehicles. The unit can of course be used for everything from wood splitters to Chinese crane trailers.</p>	<p>21 800</p>
<b>Honda GX390 Hydraulic Power Pack with Electric Start</b>	<b>790-142</b>	<p>Engine Honda GX390, about 13hp Electric start. Aluminum hydraulic tank, to cool the oil better. The tank has a return oil filter. D9 pump of about 6.2cc, gives about 22 liters per minute at full throttle. 1/2" quick couplings for P and T, complete with engine bellows and mounting frame and fasteners. Battery cable L = 2.5m with splice connector included. For example, to be able to use your tractor-adapted trailer for ATV, UTV, smaller tractor without hydraulics or other special vehicles. The unit can of course be used for everything from wood splitters to Chinese crane wagons.</p>	<p>23 900</p>

<b>ACCESSORIES CRANE TROLLEYS STAKES BUNKS CHASSIS PARTS</b>			
<b>Stake Forester</b>	<b>740-248</b>	Extra stake (stanchions) for Forester (sold individually)	1 100
<b>Banke Forester</b>	<b>790-124</b>	Extra banke Forester/ Avequs complete without stakes easy to retrofit	2 600
<b>Stake Ranger</b>	<b>740-045</b>	Extra stake for Ranger (sold individually)	1 200
<b>Stake Taiga</b>	<b>740-021</b>	Extra stake for Taiga (sold individually)	1 800
<b>Sorting pole Taiga</b>	<b>740-032</b>	Telescopic pole bracket for mounting on the Taiga center chassis.	550
<b>Boggibanke Taiga</b>	<b>740-023</b>	Telescopic stake holder for mounting on Taigas center chassis	3 100
<b>Long Stakes R/F</b>	<b>790-022</b>	Long stake (stanchion) set for energy wood/spruce loading. Suitable for both Ranger and Forester (6 pcs)	7 200
<b>Adjustable stake L</b>	<b>740-143</b>	Lower part Fits all our trolleys with swivel bars 48.3 round tubes	800
<b>Adjustable stake U</b>	<b>740-144</b>	Top approx 450mm high fits 740-143	700
<b>Adjustable rice stakes</b>	<b>740-157</b>	Height 1250mm NOTE Only for lighter goods	1 300
<b>Adjustable support leg U</b>	<b>740-147</b>	Forester Adjustable Support Leg Upper	1 000
<b>Adjustable support foot</b>	<b>740-148</b>	Adjustable Support Foot Adjustable 200mm Fits Adjustable Support Legs	1 000
<b>Adjustable support leg U</b>	<b>740-190</b>	Ranger Adjustable Support Leg Upper	1 200
<b>Sprint with Handle</b>	<b>740-158</b>	Sprint with Handle For Adjustable Support Legs	260
<b>Tractor sprint</b>	<b>410-001</b>	Tractor pin D4,5x42 Needed to secure Sprint with handle	15
<b>Insert body zink</b>	<b>790-031</b>	Insert body in Aluzink for handling of branches and light weight wood. Fits Ranger, Forester and other crane trailers. Divisible long stakes for faster change insert could be purchased separately (see 790-032)	13 800
<b>Divisible long stakes for insert tray</b>	<b>790-032</b>	Divisible set for energy wood insert tray. Enables quick changes between insert tray and standard stakes. Separates tray in to 3 pce	6 400
<b>Chassis extension Ranger</b>	<b>740-179</b>	Chassis extension suitable for Ranger. Extends the chassis by 400mm, with space for an extra pair of poles. You can then have 8 poles in total.	7 000
<b>Grapple holder Ranger</b>	<b>790-007</b>	For attaching the grapple to the rear of the trolley. Becomes very stable when travelling	1 300
<b>Low insert body zink</b>	<b>740-478</b>	Low 3/5 Durk Bottom tub, Fits Forester and Avequs easy to lift in and out	5 700

<b>ACCESSORIES CRANE TROLLEYS FLATBED BUCKET GRAPPLE ENERGY WOOD HEAD</b>			
<b>Tipping flat bed Forester</b>	<b>790-038</b>	Hydraulic tipping flat bed Forester, only installation on trailers with winch. Trailer without winch need a separate valve. Dimensions 2x1,2 m	27 600
<b>Tipping flat bed Ranger</b>	<b>790-040</b>	Hydraulic tipper Ranger, for mounting on a trailer with winch, platform dimensions 2.6x1.25 m. If you do not have a winch, a valve is needed, slightly different depending on the trailer, Call us	29 700
<b>Tipping flat bed Taiga</b>	<b>790-101</b>	Hydraulic tipping flat bed Taiga, only installation on trailers with winch. Trailer without winch need a separate valve. Dimensions 2,6x1,25m	31 400
<b>Protection plate flatbed Forester</b>	<b>790-077</b>	Protection plate in zinkplated steel 1,5 mm, adapted for tipping flatbed Forester	2 800
<b>Protection plate flatbed Ranger/Taiga</b>	<b>790-078</b>	Protection plate in zinkplated steel 1,5 mm, adapted for tipping flatbed Ranger/ Taiga	3 000
<b>Grapple holder for tipping flat bed Ranger</b>	<b>790-103</b>	Keeps the grapple in a firm grip when transporting Ranger with a flatbed	1 000
<b>Lifting beam</b>	<b>790-042</b>	Lifting beam,yoke for easy lift on and of, tipping flatbed	2 000
<b>Grapple bucket</b>	<b>790-027</b>	Grapple bucket 60 liters. Black powder coated steel	12 200
<b>Quick release kit</b>	<b>790-044</b>	Quick release kit for quick change between grapple and bucket. Fits between Avesta classic grapple and grapple bucket	1 100
<b>Quick release kit (New)</b>	<b>790-102</b>	Quick release kit for quick change between grapple and bucket. Fits between AVG08 grapple and grapple bucket	1 100
<b>Energy clip 105E</b>	<b>790-028</b>	Avesta Energiklip 105mm, finished with tool attachment 39.5 mm. Recommended for Ranger, Ranger Tractor and Taiga.	32 900
<b>Avesta Grapple Classic</b>	<b>790-079</b>	Avestas classic green grapple. 39,5mm (Forester Standard)	6 200
<b>AVG 08 Grapple</b>	<b>740-101</b>	Avesta grapple AVG08 39,5mm (New stronger grapple)	7 700
<b>AVE 08 Energy Brush Grapple</b>	<b>740-106</b>	Avesta AVE08 green and blue 39,5 mm	10 500
<b>AVG 12 Grapple</b>	<b>740-163</b>	Avesta AVG12 (Order item) For smaller tractor 39,5mm holder, or 49,5 or other fitter	10 800
<b>AVE 12 Energy Brush Grapple</b>	<b>740-510</b>	Avesta AVE12 (Order item) For smaller tractor 39,5mm holder, or 49,5 or other	12 400
<b>AVG 16 Grapple</b>	<b>740-422</b>	Avesta AVG16 (Order item) For tractor trailer 5-8 ton 39,5mm holder, or 49,5 or other	12 900
<b>AVE 16 Energy Brusck Grapple</b>	<b>740-511</b>	Avesta AVE16 (Order item) For tractor trailer 5-8 ton 39,5mm holder, or 49,5 or other fitter	14 400

<b>ACCESSORIES CRANE TROLLEYS SOLVE GOOD STUFF</b>			
<b>Hydraulic table</b>	<b>790-001</b>	Avestavagnen hydraulic aggregate table, adjustable height for easy mounting and dismounting for standard ATVs	3 400
<b>Hydraulic table XL</b>	<b>790-074</b>	Avestavagnen hydraulic unit table XL, adjustable height for easy mounting and dismounting for larger ATVs, for example. Polaris XPS 1000.	3 400
<b>Timber pincer</b>	<b>790-025</b>	Avestavagnen universal timber pincer. 10 mm high strength steel, grip 40 cm	1 500
<b>Teethed timber shears</b>	<b>790-090</b>	Avestavagnen teethed timber shears. Perfect for winch, 10 mm high strength steel, opens 40 cm	1 500
<b>Separate wire guide</b>	<b>790-026</b>	Complete separate wire guide with hooks and chain, functions as extra winch cable guide	1 000
<b>Support wheel</b>	<b>790-035</b>	Support wheel with quick release for 80 mm drawbar. Fits Forester series without frame steering	1 300
<b>Support wheel</b>	<b>790-036</b>	Support wheel with quick release, fits Woodman and Forester with frame steering	1 300
<b>Support wheel</b>	<b>790-037</b>	Support wheel with quick release for Ranger series	1 400
<b>Can holder</b>	<b>790-043</b>	Can holder for a 5 liter fuel can. Powerpack fuel. To be installed on trailer gate. Electro galvanized	600
<b>Storage box</b>	<b>790-085</b>	Storage box to be fitted on the gate. Perfect storage for tools, combi can etc. Fits Forester, Ranger and Taiga. Chainsaw holder (790-086) sold separately, room for up to three per storage box	1 600
<b>Chainsaw holder</b>	<b>790-086</b>	Chainsaw holder with plastic insert, to be mounted on the storage box (790-085). Each box fits up to three holders.	300
<b>Gate mount bracket</b>	<b>701-338</b>	Gate mount bracket for Taiga and Woodman. Mounting screws included	100
<b>Holder timber pincer</b>	<b>701-308</b>	mounted on the outside of the universal box. Mounting screw included	160
<b>Tool holder universal box</b>	<b>740-111</b>	Tool holder that is mounted inside the universal box. Space for chainsaw file (with extra protection), sledge hammer etc. Mounting screw included	160
<b>Spare kit hose Forester grip/extension</b>	<b>790-075</b>	Spare hose kit that you can take with you to the forest if you break a grapple or extension hose on your Forester. Hose 21, 22, 23 and 17.	750
<b>Spare hose kit Ranger grip/extension</b>	<b>790-076</b>	Spare hose kit that you can take with you to the forest if you break a grapple or extension hose on your Ranger. Hose 21, 22, 23 and 17.	800
<b>Grip head holder Ranger</b>	<b>790-007</b>	Grip head holder for Ranger. Holds grip head during transport, in the back of trailer. Electro galvanized	2 300
<b>Single Stud Set 22x11-8</b>	<b>790-080</b>	Single stud kit for 22x11-8 tires, Forester, Woodman, Utility trailer, Tipping L. 38 screw studs/tires 152 pcs/ trailer.	1 400
<b>Double Stud Set 22x11-8</b>	<b>790-081</b>	Double stud kit for extra good winter grip 22x11-8 tires, Forester, Woodman, Utility trailer, Tipping L. 76pcs screw studs/tires 304pcs/ trailer.	2 800
<b>Single Stud Set 300x65-12</b>	<b>790-082</b>	Single stud kit for 300x65-12 tires, Ranger, Taiga, HD Utility trailer. 54 screw studs/tire 216 pcs/ trailer.	2 000
<b>Double Stud Set 300x65-13</b>	<b>790-083</b>	Double stud kit for extra good winter grip 22x11-8 tires, Forester, Woodman, Utility trailer, Tipping L. 108 screw studs/tires 432 pcs/ trailer.	3 800

## UTILITY AND COMBI TRAILER



Articel	Art. nr.	Description	SEK
<b>Trailers for ATV</b>			

<b>Utility Trailer Terrain</b>	<b>760-004</b>	<b>Universal hunting trailer, Alu bed, passenger transport, tipping tray</b>	<b>29 100</b>
<b>Utility Trailer Grass</b>	<b>760-005</b>	<b>Same, but with large grass wheels, works well in parks, golf courses</b>	<b>29 100</b>
Utility Trailer full height tailgate	<b>790-050</b>	Extra tailgate, full height to be able to load full with e.g. firewood, The standard wagon is delivered with a low tailgate	3 100

<b>Heavy Duty Utility Trailer</b>	<b>760-006</b>	<b>Much larger area to sit than the usual, you can easily drive an ATV on top, the wagon has bigger and stronger universal wheels</b>	<b>34 000</b>
HD Utility Trailer full height tailgate	<b>790-051</b>	Extra tailgate, full height to be able to load full with e.g. firewood, The standard wagon is delivered with a low tailgate	3 200

### Below accessories fit both Regular Utility and Utility HD

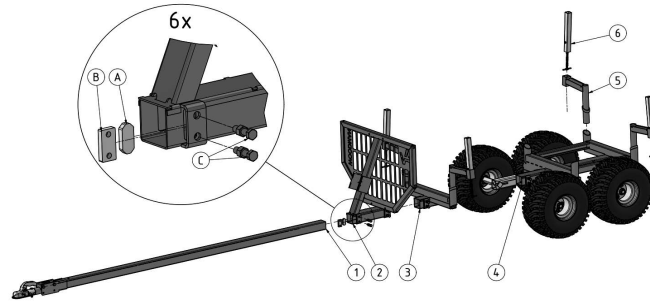
Winch pole bracket	<b>790-049</b>	Winch pole bracket for winch fits, Utility trailer and HD Utility trailer	1 000
Vinsch Stolpe Warn	<b>790-121</b>	För Elvinsch, stolpen har även fäste för linstyrare	1 100
Wire guide pole	<b>790-047</b>	To be used with a winch in back of ATV	1 400
Manual Secure winch AL-KO	<b>790-046</b>	Safety winch from AL-KO, 901A Op 900kg (winch cable not included) Automatic cargo brake. Max. tensile force on the lower wire layer: Vertical load: 900 kg / towing a non-rolling load: 1,500 kg	3 200
Winch cable with hook	<b>790-089</b>	Winch cable 10 m, 6 mm Ø. Complete with hook. Fits AL-KO and other hand winches	550
Wireguide	<b>790-026</b>	Complete with hooks and chain, extra winch cable guide	1 000
Electric winch radio controlled Åkeströms	<b>740-099</b>	Complete unit ready to mount on the trailer's winch bracket. Delivered with splice connector and 2.5m connection cable to e.g. ATV Warn 2500	9 300
Universal holder for battery	<b>790-069</b>	Battery shelf universal, If you have working lights, winch, electric start, fits all trailers	850
Battery AGM	<b>790-070</b>	Leisure battery 45Ah AGM (90% discharge capacity)	1 500
Support wheel	<b>790-068</b>	Swivel support wheel with quick attachment, pull a pin and the support wheel is free	1 300
Ramp ATV LS 150v	<b>790-052</b>	Foldable strong ramp L=150cm to drive up heavy machinery onto the flatbed, also available in other designs and lengths, sold individually	3 600
Delimiter/extra floor Utility Trailer	<b>790-055</b>	3/5 alu. Becomes a cover on the surface where you can sit. Fits Utility+HD	3 100

<b>Combi Trailer Terrain</b>	<b>760-007</b>	<b>Robust trailer with telescopic drawbar, real bogie, completely made of hot-dip galvanized high-strength steel, good for firewood and passenger transport, all-terrain wheels</b>	<b>27 600</b>
<b>Combi Trailer Grass</b>	<b>760-008</b>	<b>Same as above but with large grass wheels</b>	<b>27 600</b>
Support Wheel	<b>790-067</b>	Support wheels with quick release	1 300

The Avesta wagon reserves the right to possible misprints and price changes based on factors beyond our control;



## WOODMAN 2025



Articel	Art. nr.	Description	SEK
---------	----------	-------------	-----

Trailers for ATV			
<b>Woodman Standard</b>	780-001	Manual heavy-duty trolley for hand loading firewood, recommended load weight 1300kg, all-terrain wheels 22x11-8	21 200
<b>Woodman Manual Crane</b>	780-002	Woodman cart complete with manual swing wire crane, intended for ATV rear mounted winch	27 600
<b>Woodman Pro</b>	780-003	Woodman with wire crane, Warn Provantage winch with radio control from Åkerströms. Own leisure battery with battery shelf, Charging cable from ATV Lunning scissors, cable guide with hook and chain	43 200
<b>Load rocker</b>	790-056	Attach easily to the pole on the cart, a help and you can quickly and easily load long firewood	550
<b>Extra stake lower half</b>	740-008	Welded angular model, also fits older carts but does not look the same	650
<b>Extra stake upper half</b>	740-100	Square straight surface treated with chain, so as not to be lost	430
<b>Timber pincer</b>	790-090	Open 40cm designed for winch, 10mm high strength steel, it does not lose grip	1 500
<b>Separate wire guide</b>	790-026	Extra winch cable guide, breaker block with chain and hooks, you can easily winch past an obstacle	1 000
<b>Insert body 225cm</b>	790-062	Insert body in alu, fits Woodman and other trailers.(similar to Utility trailer insert)	13 800
<b>Dumper bed with wire tip function</b>	790-061	Flat flatbed with flaps, bottom of flatbed flap, spreader flap, see Tipping Trailer M	19 100
<b>Extention Net sides</b>	790-064	Net extension Tipping S, M,L. L200 W120 H60. Overhang tailgate	5 300
<b>Wire crane Woodman</b>	790-060	Separate crane intended for rear-mounted winch, The crane has a removable telescopic support leg, Fits TB 1200, TB 1300 and Woodmanan	7 800
<b>Woodman telescopic support leg</b>	790-059	As a spare part or an extra telescopic support leg for a crane	1 800
<b>Battery Mount</b>	790-069	Battery shelf universal, If ypu have working lights, winch, electric start, fits all trailers	850
<b>Battery AGM</b>	790-070	Leisure battery 45Ah AGM (90% discharge capacity)	1 500
<b>Support wheel</b>	790-036	For 70 mm drawbar. Pull a sprint and the support wheel is free	1 300
<b>Alu Ramp ATV, LS 150 v</b>	790-052	Foldable strong ramp L=150cm to drive up heavy machinery onto the flatbed, also available in other designs and lengths, sold individually	3 600
<b>Winch cable with hook</b>	790-089	Winch cable 10 m, 6 mm Ø. Complete with hook. Fits AL-KO and other hand winches	550
<b>Electric winch radio controlled Åkeströms</b>	740-099	Complete unit ready to mount on the trailer's winch bracket. Delivered with splice connector and 2.5m connection cable to e.g. ATV Warn 2500	9 300
<b>Manual Secure winch AL-KO</b>	790-046	Safety winch from AL-KO, 901A Op 900kg (winch cable not included) Automatic cargo brake. Max. tensile force on the lower wire layer: Vertical load: 900 kg / towing a non-rolling load: 1,500 kgg	3 200
<b>Warn ATV winch VRX 25</b>	790-045	Radio controlled electric winch. Capacity 1134 kg. Radio control with remote control is purchased separately	4 300
<b>Winch attachments</b>	740-236	If you want to mount the winch on the Woodman crane	700

## TIPPING TRAILERS



Articel	Art. nr.	Description	SEK
<b>Trailers for ATV</b>			

<b>Tipping Trailer XS, Grass</b>	<b>760-009</b>	Complete small trolley with manually tiltable flatbed, 150x100x25 cm, small green surface wheels 20x10-8 single axle, load weight 400kg	<b>12 500</b>
<b>Tipping Trailer XS, Terrain</b>	<b>760-010</b>	Same wagon with all-terrain wheels 22x11-8	<b>13 100</b>
Extention sides XS	<b>790-063</b>	L150 B100 H60. Half overhanging tailgate	4 200
Support tow bar wheel	<b>790-067</b>	Support wheel with quick attachment, Tipping Trailer XS	1 300

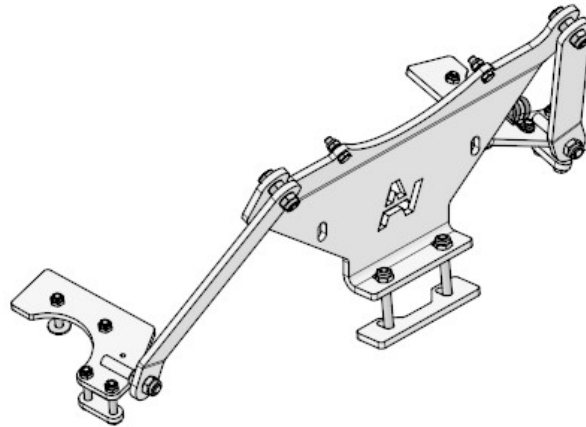
<b>Tipping Trailer S, Grass</b>	<b>760-011</b>	Complete larger wagon with manually tiltable flatbed, 200x120x30 cm, large green surface wheels 23x10.5-12 single axle, load weight 700kg	<b>18 400</b>
<b>Tipping Trailer S, Terrain</b>	<b>760-012</b>	Same wagon with all-terrain tires 22x11-8	<b>17 100</b>
Extention sides S,M,L	<b>790-064</b>	Steel net sides S,M,L. L200 W120 H60. Full overhanging tailgate	5 400
Support tow bar wheel S,M,L	<b>790-068</b>	Raise and lower support wheel with quick release, pull a pin and the support wheel is free	1 300

<b>Tipping Trailer M, Grass</b>	<b>760-013</b>	The flatbed has a cable tip intended for a rear-mounted or external winch, real bogie small green surface wheels, recommended load weight 900kg	<b>26 600</b>
<b>Tipping Trailer M, Terrain</b>	<b>760-014</b>	Same wagon as above but with off-road tires 22x11-8	<b>28 600</b>
Extention sides	<b>790-064</b>	Net increase S,M,L. L200 W120 H60. Full overhanging tailgate	5 400
Support tow bar wheel	<b>790-068</b>	Raise and lower support wheel with quick release, pull a pin, wheel is free	1 300
Winch attachment Tipping Trailer M	<b>740-508</b>	In order to attach a winch to the carriage itself, the diagonal crossbar that is fitted as standard is replaced by a stronger one with a screwable winch attachment	1 200
Manual Secure winch AL-KO	<b>790-046</b>	Safety winch from AL-KO, 901A Op 900kg (winch cable not included) Automatic cargo brake. Max. tensile force on the lower wire layer: Vertical load: 900 kg / towing a non-rolling load: 1,500 kg	3 200
Winch cable with hook	<b>790-089</b>	Winch cable 10m, 6mm Ø. Complete with hook. Fits AL-KO and other	540
Electric winch with Åkerström's radio	<b>740-099</b>	Complete unit ready to mount on the trolley's winch mount. Comes with splice connector and 2.5m connection cable to e.g. ATV	9 300
Battery Mount	<b>790-069</b>	Battery shelf universal, If ypu have working lights, winch, electric start, fits all trailers	850
12 AGM Battery	<b>790-070</b>	Leisure battery 45Ah AGM (90% discharge capacity)	1 500

<b>Tipping Trailer L, Hydraulic, Terrain</b>	<b>790-016</b>	Bogie trailer, flatbed 200x120x30cm, folding limbs with electro-hydraulic tipping, cordless all-terrain wheels, recommended load weight 1400kg	<b>47 800</b>
<b>Tipping Trailer L, Hydraulic, Grass</b>	<b>760-015</b>	Large wheels for green surface 23x10.5-12 for parks, golf, cemeteries	<b>74 800</b>
<b>No Aggregate</b>		Trailer without electric Hydraulic Unit, With 1 3/8" hose and 1/2" Quick coupling Male for tipping function. The sale price minus 6000 SEK	
Underhung tailgate	<b>790-065</b>	Loose standard tailgate for L (overhanging spreader flap is standard)	1 800
Extention sides	<b>790-064</b>	Net increase S,M,L. L200 W120 H60. Full overhanging tailgate	3 600
Åkerström radio	<b>790-066</b>	For installation on Tipp L, then get a radio-controlled wireless remote control	4 500
Tow bar wheel S,M,L	<b>790-068</b>	Adjustable support wheel with quick release, pull a pin and the support wheel is free	1 100
Ramp ATV LS 150v	<b>790-052</b>	Foldable strong ramp L=150cm to drive up heavy machinery onto the flatbed, also available in other designs and lengths, sold individually	3 600

*The Avesta wagon reserves the right to possible misprints and price changes based on factors beyond our control;*

## SPRING LOCKS AND GENERAL CARGO



ATV STABILIZER FOR REAR END SUSPENSION			
<b>Polaris 570</b>	<b>790-011</b>	Spring locking Polaris 570 model year 2017 and onwards incl. towbar reinforcement	3 700
<b>Polaris 570</b>	<b>790-092</b>	Spring locking Polaris 570 model year 2023- and onwards incl. towbar reinforcement	3 700
<b>Polaris XP</b>	<b>790-010</b>	Spring locking Polaris XP	3 700
<b>Arctic Cat</b>	<b>790-012</b>	Arctic Cat inkl. incl. towbar reinforcement	3 700
<b>Can Am</b>	<b>790-015</b>	2pce angle brackets to make the universal models of spring locks fit	500
<b>Can Am Kort Drag</b>	<b>790-014</b>	<i>CanAm often has a long tow, which puts unnecessary strain on ATVs</i>	550
<b>Universal</b>	<b>790-017</b>	Spring locking Universal 300-440mm (cc measurement between the upper and lower attachment points of the quad)	2 700
<b>Universal XL</b>	<b>790-018</b>	Spring lock Universal XL, extra long, 400-540mm (cc measurement between the upper and lower attachment points on the quad)	2 700
<b>Universal with offset</b>	<b>790-019</b>	Spring locking Universal, offset 20mm, 300-440mm (cc measurement between the upper and lower attachment points on the quad) fits thicker springs	2 700
<b>Shipping cost</b>			
		Shipping at cost price. The actual price is corrected after the waybill is written	X